

## DMX Original Address Editor

Model No.: FIR-DMX-XL

### 1. Features

Please install original address editor before original light, editor send address 1 to original light. (only compatible with DMX512 auto editing address series).

User can remove editor and keep it connected with rest lights once original light address had been set up, it won't affect working for other lights.



### 2. Parameter

Model No.: FIR-DMX-XL

Working Temp.: -20~45°C

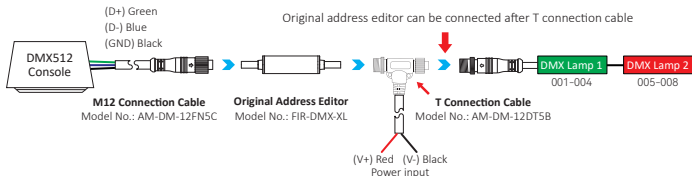
Working Voltage: DC12V~24V

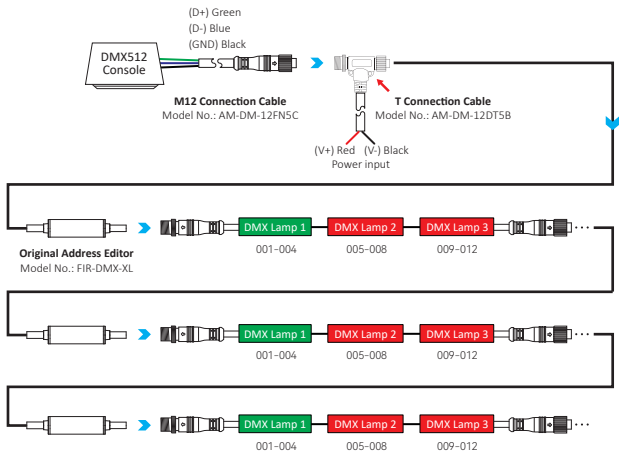
IP Rate: IP66

### 3. Instruction

1. Connect original address editor between DMX512 console and original light
2. Original light address will be set up 1 once the initial light is green color, the rest lights are red color while power is on 3 seconds

Following connected DMX512 lights are RGBW type, each light need 4 address





## 4. Attention

1. Please check whether the voltage of the power supply is in accordance with the Amplifier, otherwise the device will be broken.
2. Non-professional user cannot dismantle the device directly, otherwise the device will be broken.
3. Original address editor must work with DMX512 console, user need to connect T connection cable with power supply once many lights need to be wired.



Scan QR code or review following link to check more details  
[https://miboxer.com/light/video/dmx\\_2.html](https://miboxer.com/light/video/dmx_2.html)



Made in China