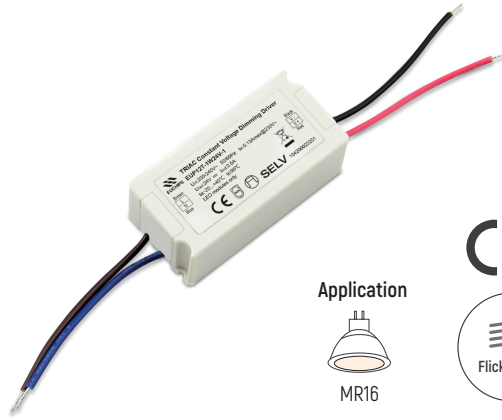


EUP12T-1W24V-1
Product Feature

- Single-channel constant voltage output, 24VDC
- Support Leading edge (Triac) and Trailing edge (ELV) Dimmer
- Dimming range from 40VAC to 240V AC
- Dimming effect smooth, no flicker
- Over power protection; Over voltage protection
- Suitable for indoor LED lighting application


Application


MR16


SELV


Flicker free



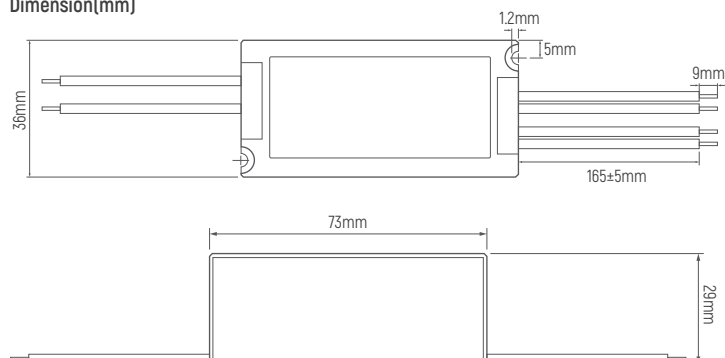
Open Voltage Protection



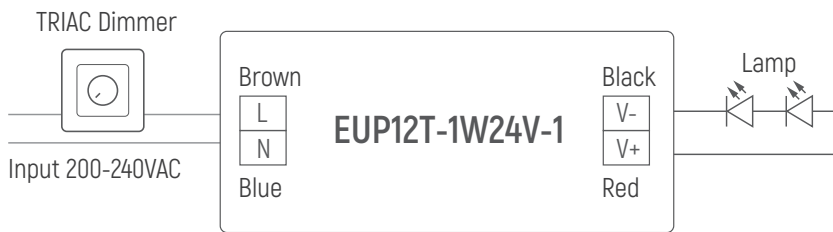
Open Power Protection

Technical Parameters

Model	EUP12T-1W24V-1	
Input	Efficiency	75%@230VAC, Full load
	Voltage	200VAC-240VAC
	Frequency	50/60Hz
	Current	0.13Amax@230VAC, Full load
	Dimming voltage range	40-240VAC
	Inrush Current	12A @230VAC
Output	Current	0.5A
	Voltage	24VDC
	Power	12W
	Ripple Current	120mVp-p
	Channel	1
	Voltage Tolerance	±3%
	Turn On Delay Time	<1s, @230Vac
Function	Dimming Mode	Triac ELV
	Protection	Over Power: Hiccup mode, recovers after fault condition is removed Over voltage: Close output, recovers after fault condition is removed
Safety	Surge	L-N: 1kV
	Withstand Voltage	I/P-O/P: 1500V, 5mA, 60s
	Safety Standards	EN61347-1 EN61347-2-13
	Performance	EN62384
Others	Working Temp.	-20°C~40°C
	Storage Temp.; Humidity	-40°C~85°C, 20-90%RH
	Tc	85°C
	Material	PC
	IP Rating	IP20
	Lifetime	30,000h@tc:85°C
	Warranty Condition	3 years
	Switch Cycle	>15,000 times
	Packing Size	Net weight: 60g±5%/PCS; 100PCS/ Carton; 6.5kg±5%/ Carton; Carton Size: 388*265*219mm(L*W*H)
Dimension	73*36*29mm(L*W*H)	

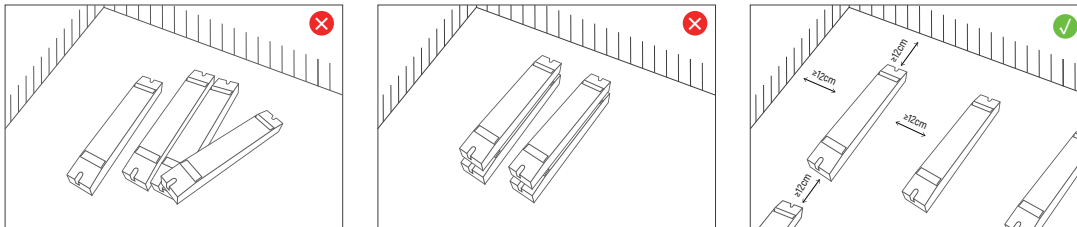
Dimension(mm)


Wiring Diagram



Note: For capacitive load, the larger inrush current will reduce the service life of the electrolytic capacitor. Before using this product, please contact the relevant technical personnel to match and verify.

Installation Precautions



Please do not stack the products. The distance between two products should be $>12\text{cm}$ so as not to affect heat dissipation and the lifespan of the products.

Cautions

1. This product must be installed and adjusted by a qualified professional.
2. This product is non waterproof, need to avoid sun and rain. In case of outdoor use, please ensure it is mounted in a water proof enclosure.
3. Good heat dissipation conditions extend product life. Please install the product in a well-ventilated environment.
4. Please make sure LED power supply output voltage, current is used to meet the product requirements.
5. Please ensure that adequate sized cable is used from the controller to the LED lights to carry the current. Please also ensure that the cable is secured tightly in the connector.
6. Due to safety concerns, PVC or rubber cord of $0.75\text{-}2.5\text{mm}^2$ is recommended for input and output terminal(s). Flat power cord is not suitable. Ensure all wire connections and polarities are correct before applying power to avoid any damages to the LED lights.
7. In case of malfunction, do not repair it yourself.

※ The contents of this manual are updated without prior notice. If the function of the product you are using is inconsistent with the instructions, the function of the product shall prevail. Please contact us if you have any questions.

Warranty Agreement

1. Warranty periods from the date of delivery : 3 years.
2. Free repair or replacement services for quality problems are provided within warranty periods.

Warranty exclusions below:

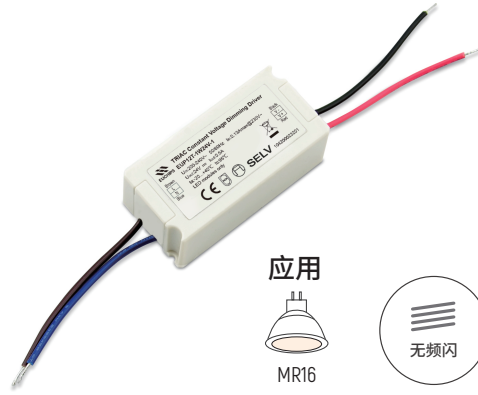
1. Beyond warranty periods.
2. Any artificial damage caused by high voltage, overload, or improper operations
3. Products with severe physical damage.
4. Damage caused by natural disasters and force majeure.
5. Warranty labels and barcodes have been damaged.
6. No any contract signed by EUCHIPS.

- Repair or replacement provided is the only remedy for customers. EUCHIPS is not liable for any incidental or consequential damage unless it is within the law.
 - EUCHIPS has the right to amend or adjust the terms of this warranty, and release in written form shall prevail.

EUP12T-1W24V-1

产品特点

- 单通道恒压输出，输出电压为 24VDC
- 支持前沿 (Triac) 和后沿(ELV)调光
- 调光电压范围 40VAC- 240VAC
- 调光曲线平滑，无抖动
- 过功率保护；过压保护
- 适用于室内 LED 灯具



应用



MR16



无频闪



过压保护



过功率保护

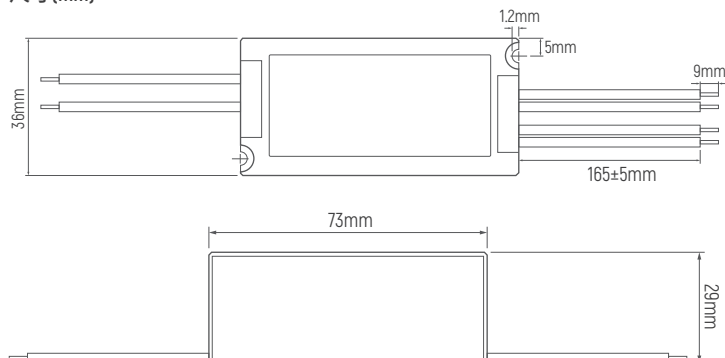


SELV

技术参数

型号	EUP12T-1W24V-1		
输入	效率	75%@230VAC, 满载	
	电压	200VAC-240VAC	
	频率	50/60Hz	
	电流	0.13Amax@230VAC, 满载	
	调光电压范围	40-240VAC	
	浪涌电流	12A @230VAC	
输出	电流	0.5A	
	电压	24VDC	
	功率	12W	
	纹波	120mVp-p	
	通道	1	
	电压精度	±3%	
	开机延时	<1s, @230Vac	
功能	调光方式	前沿 后沿可控硅	
保护	过功率	打嗝, 去除故障后自恢复	
	过压	关断输出, 去除故障后重启, 恢复正常	
安规	雷击浪涌	L-N: 1kV	
	耐压	I/P-O/P:1500V,5mA,60s	
	安全标准	EN61347-1 EN61347-2-13	
	性能	EN62384	
其它	工作温度	-20°C-40°C	
	储存温度及湿度	-40°C-85°C, 20-90%RH	
	Tc	85°C	
	材质	PC	
	防水等级	IP20	
	寿命	30,000h@tc:85°C	
	质保	3 years	
	开关次数	>15,000 times	
	箱重尺寸	净重: 60g±5%/个; 100个/箱; 6.5 kg±5%/箱; 外箱尺寸: 388*265*219毫米[长*宽*高]	
	产品尺寸	73*36*29毫米[长*宽*高]	

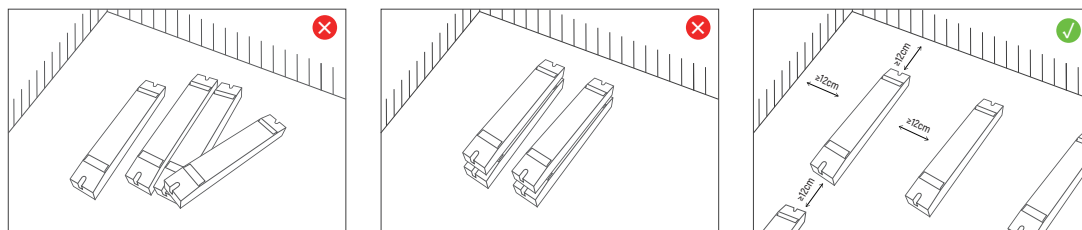
尺寸(mm)



应用接线图



安装规范要求



请勿将产品堆叠摆放，产品与产品间隔距离应 $\geq 12\text{cm}$ ，避免影响产品散热和使用寿命。

注意事项:

- 1、本产品请由具有专业资格的人员进行调试安装。
- 2、本产品不能防水，需避免日晒雨淋，如安装在户外，请用防水箱。
- 3、良好的散热条件会延长产品的使用寿命，请把产品安装在通风良好的环境。
- 4、请检查使用的LED电源输出电压电流，是否符合产品要求。
- 5、出于安全考虑，推荐输入和输出用 $0.75\text{-}2.5\text{mm}^2$ PVC或橡胶线缆，并确保接线牢固，以免电线过热或接触不良触发事故。扁平电源线不适用。
- 6、通电调试前，应确保所有接线正确，以避免因接线错误而导致灯具损坏。
- 7、如果发生故障，请勿私自维修；如有疑问，请联系供应商。

※ 本说明书内容如有更新，恕不另行通知。若您使用的产品功能与说明书不一致时，请以产品为准。如有疑问请与我们联系。

保修条例

- 1、自出厂之日起保修服务期为3年。
- 2、在保修服务期内出现产品质量问题欧切斯将给予免费修理或更换服务。

非保修条例:

属下列情况不在免费保修或更换服务范围之内:

- 1、已经超出保修服务期;
- 2、过高电压、超负载、操作不当等人为造成的损坏;
- 3、产品外形严重损坏或变形;
- 4、自然灾害以及人力不可抗拒原因造成的损坏;
- 5、产品保修标签和产品唯一条形码损坏;
- 6、无欧切斯签订的合同或发票凭证。

·修理或更换是欧切斯对客户唯一补救措施。欧切斯不承担任何附带引起的损害赔偿，除非在适用法律范围之内。
·欧切斯享有修正或调整本保修条款的权利，并以书面形式发布为准。